

Ocean Signal Limited

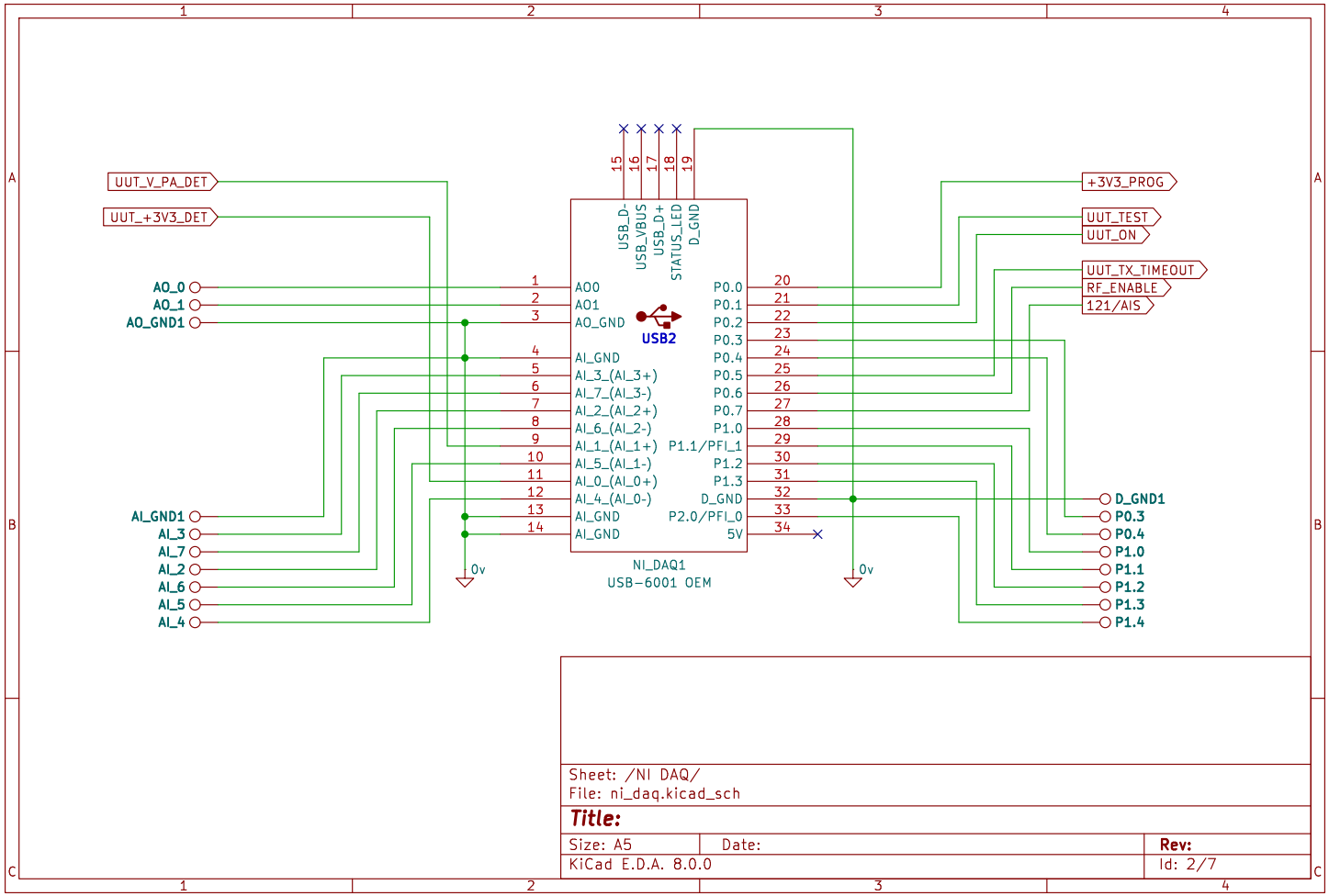
Sheet: /
 File: Kicad_Modular.kicad_sch

Title: MOB 2 PCB Test Jig

Size: A5 Date: 2024-04-25

KiCad E.D.A. 8.0.0

Rev: 0.1
 Id: 1/7



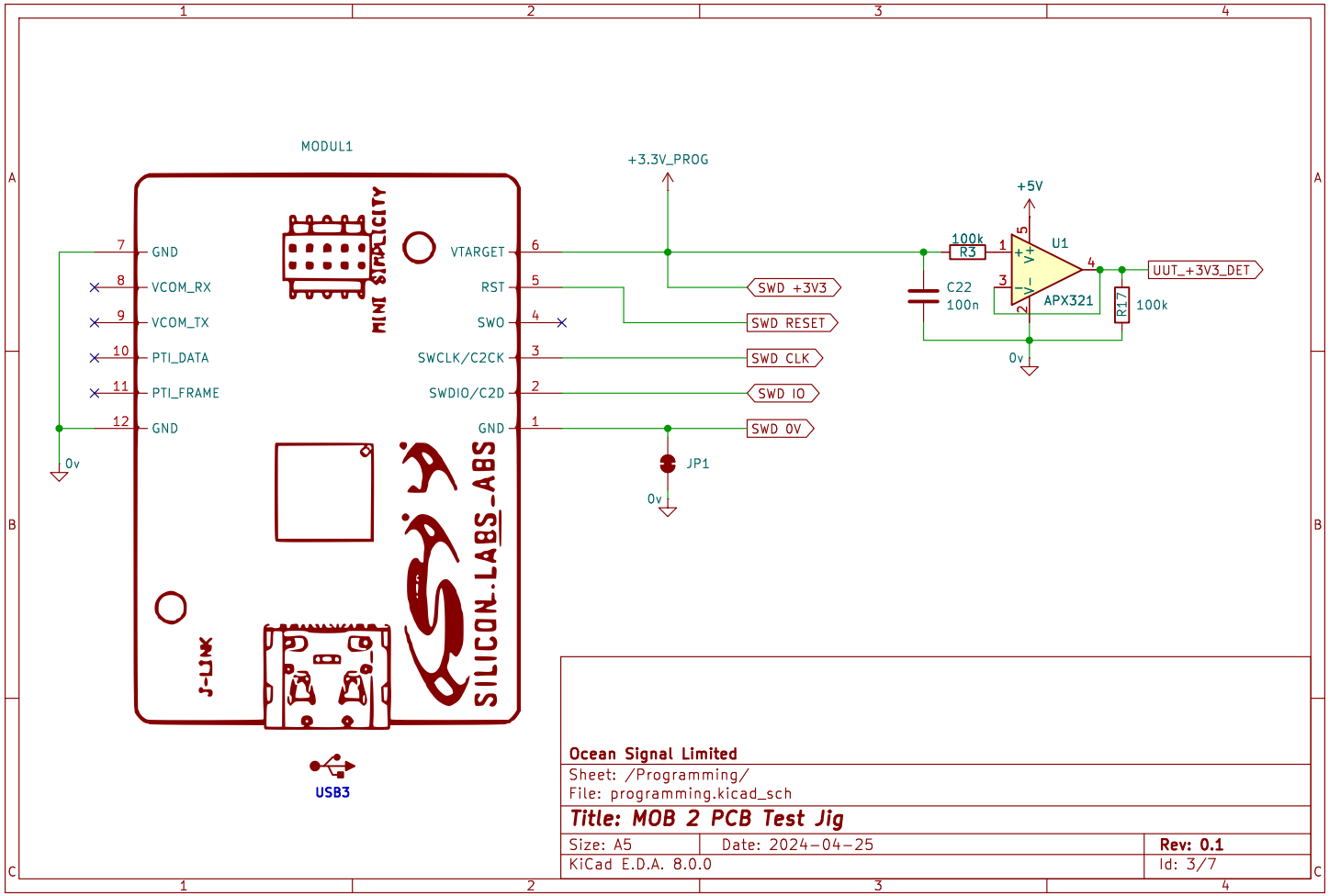
Sheet: /NI DAQ/
 File: ni_daq.kicad_sch

Title:

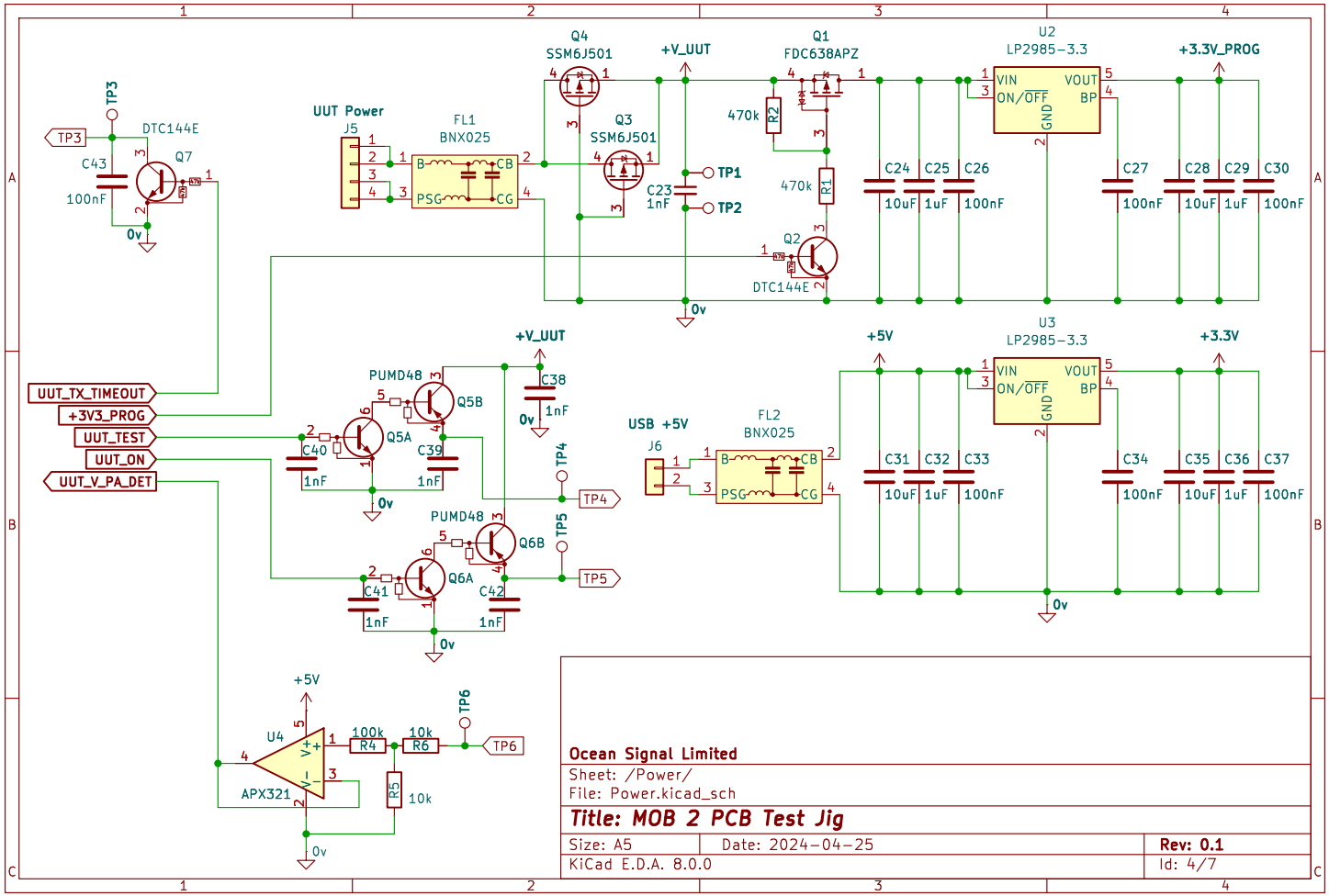
Size: A5
 KiCad E.D.A. 8.0.0

Date:

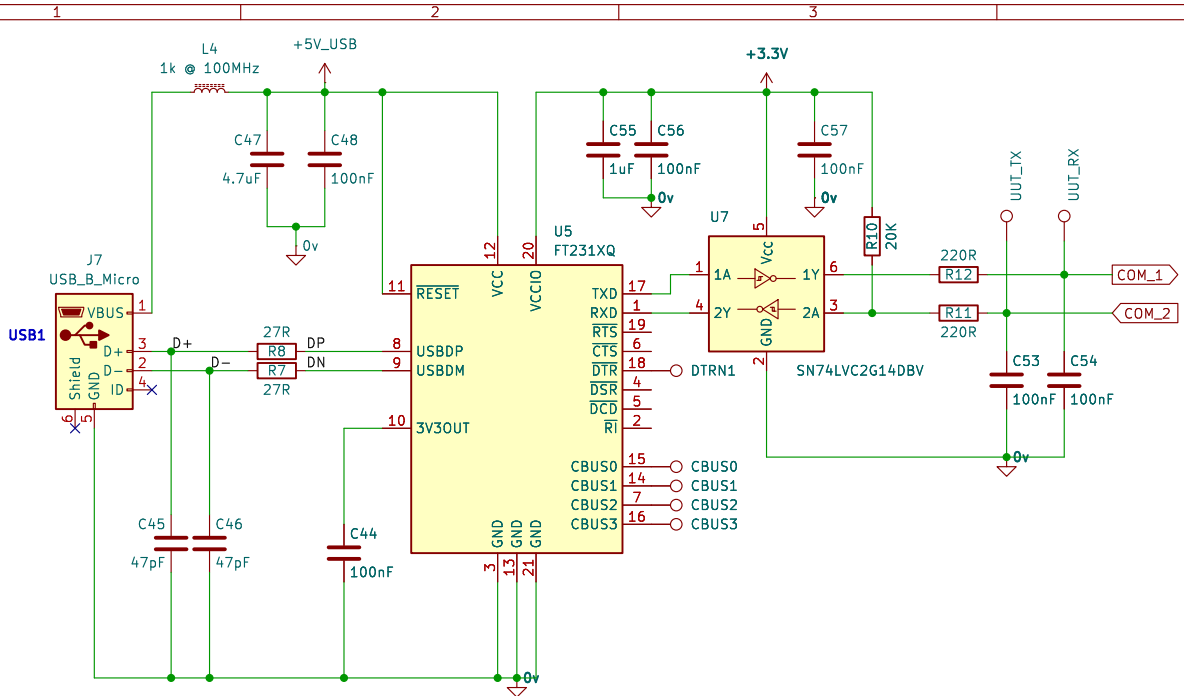
Rev:
 Id: 2/7



Ocean Signal Limited	
Sheet: /Programming/	
File: programming.kicad_sch	
Title: MOB 2 PCB Test Jig	
Size: A5	Date: 2024-04-25
KiCad E.D.A. 8.0.0	Rev: 0.1
	Id: 3/7



Ocean Signal Limited	
Sheet: /Power/	
File: Power.kicad_sch	
Title: MOB 2 PCB Test Jig	
Size: A5	Date: 2024-04-25
KiCad E.D.A. 8.0.0	Rev: 0.1
	Id: 4/7

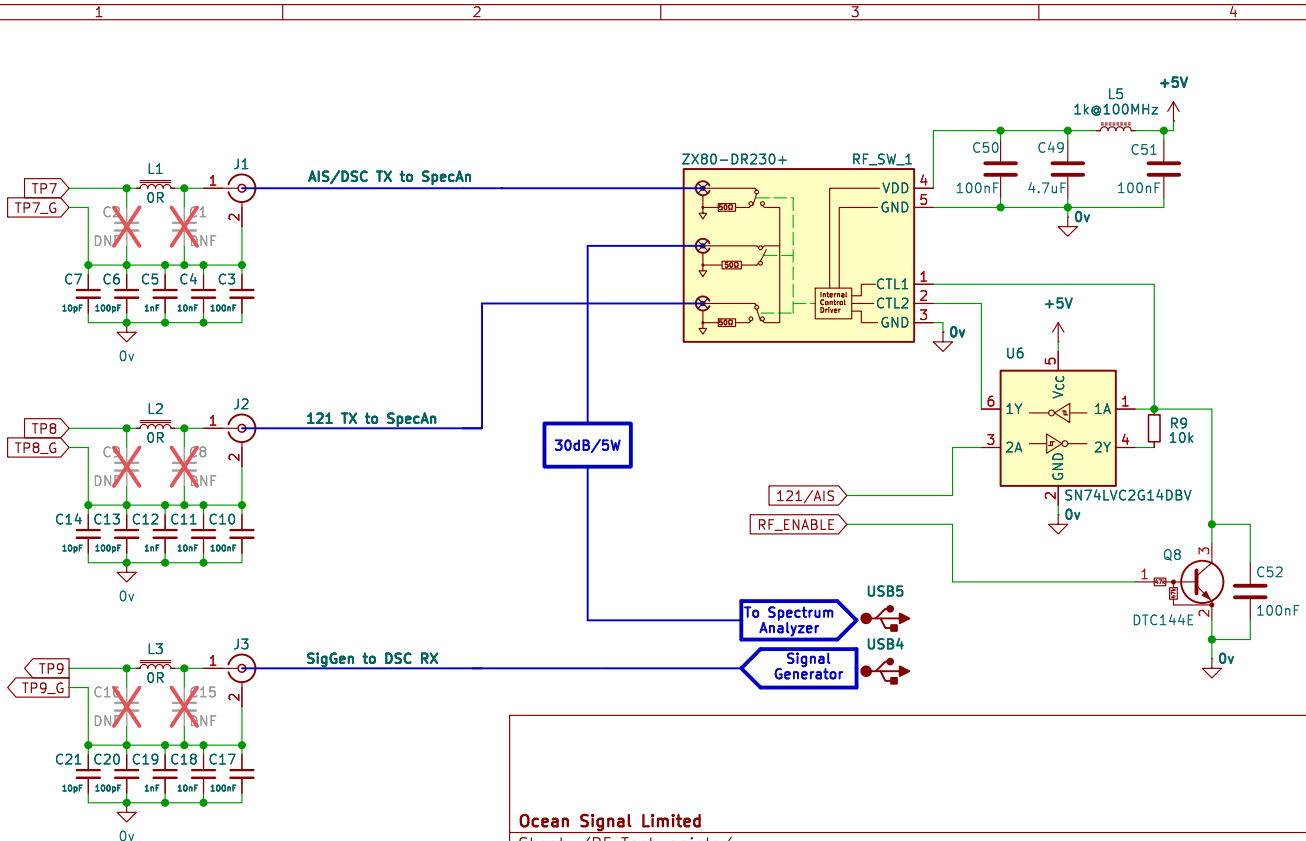


Ocean Signal Limited

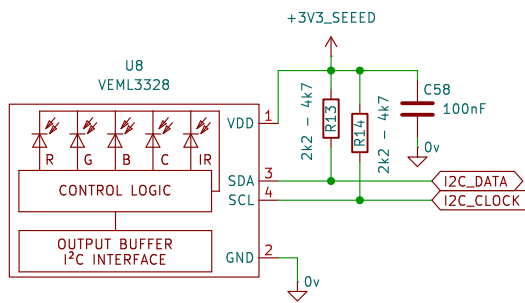
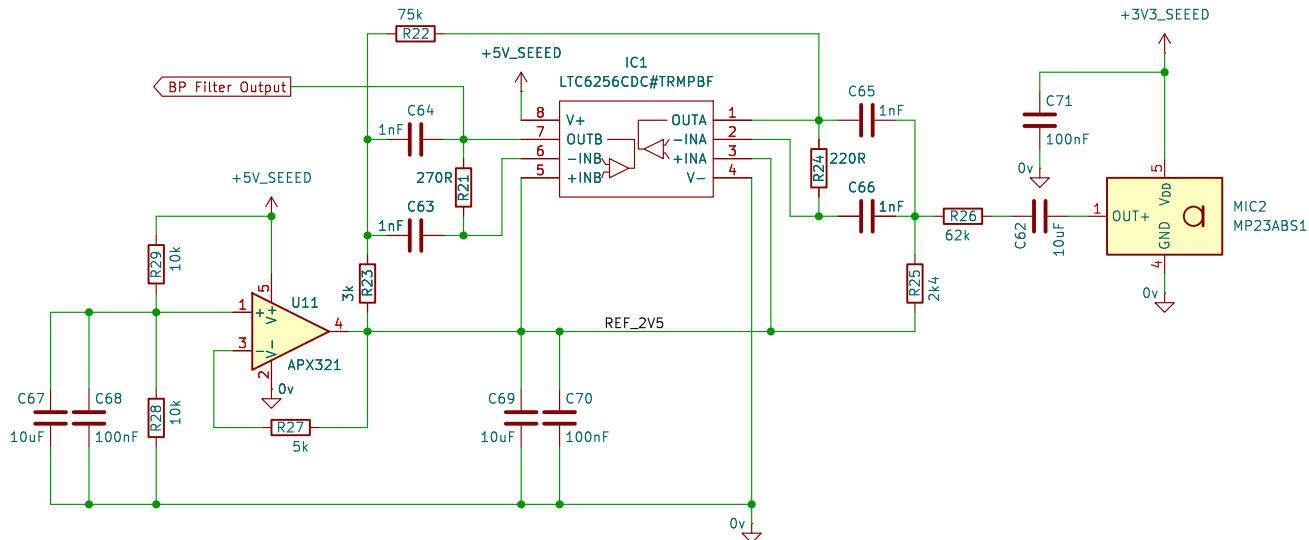
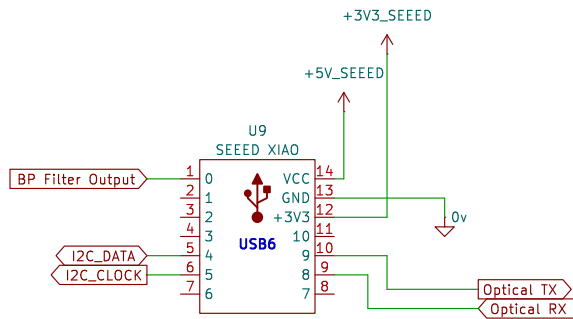
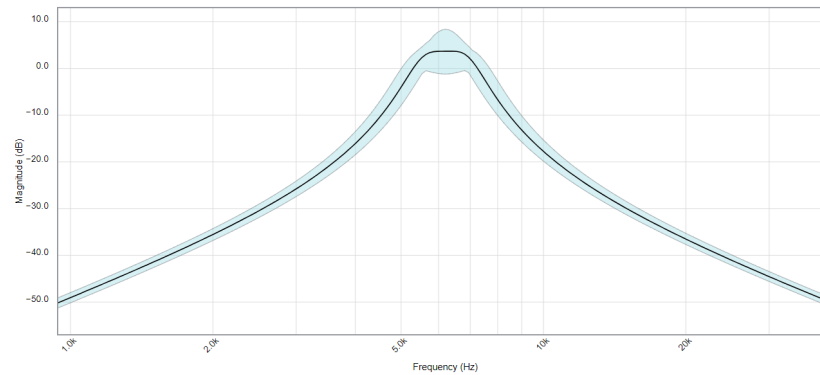
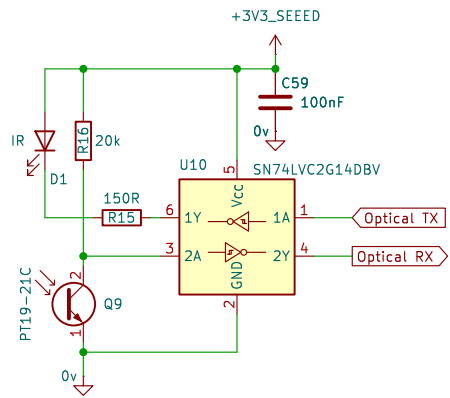
Sheet: /Wired Comms/
 File: WiredComms.kicad_sch

Title: MOB 2 PCB Test Jig

Size: A5	Date: 2024-04-25	Rev: 0.1
KiCad E.D.A. 8.0.0		Id: 5/7



Ocean Signal Limited	
Sheet: /RF Test-points/	
File: RF Test-point.kicad_sch	
Title: MOB 2 PCB Test Jig	
Size: A5	Date: 2024-04-25
KiCad E.D.A. 8.0.0	Rev: 0.1
	Id: 6/7



Sheet: /Optical and audio /
File: opto_audio.kicad_sch

Title:		Rev:	
Size: A4	Date:		
KiCad E.D.A. 8.0.0		Id: 7/7	